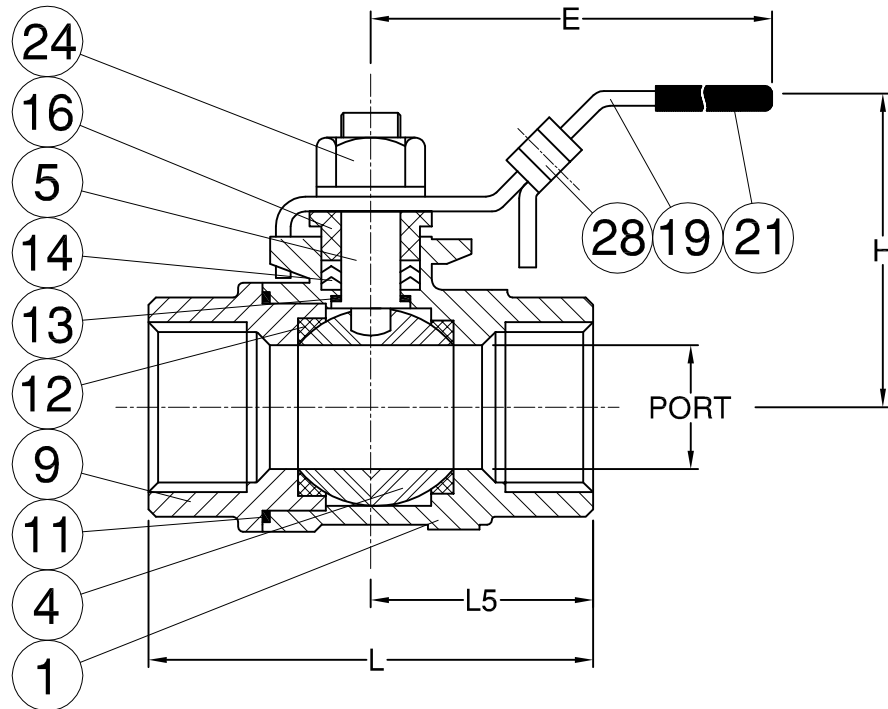
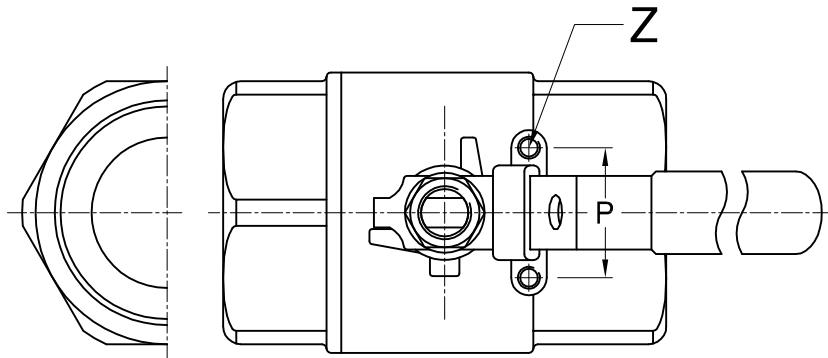


**MODEL: D1090**

**MATERIAL LIST**

NO.	PART NAME	MATERIAL
1	BODY	1.4408 / EN1503-1
4	BALL	ASTM A351 Gr.CF8M
5	STEM	SS316
9	END CAP	1.4408 / EN1503-1
11	BODY SEAL	PTFE
12	SEAT	RTFE
13	THRUST WASHER	PTFE
14	STEM PACKING	PTFE
16	GLAND NUT	SS304
19	HANDLE	SS304
21	HANDLE COVER	PLASTIC
24	HANDLE NUT	SS304
28	LOCKING DEVICE	SS304



**DIMENSION**

		unit:mm						
SIZE	PORT	L	L5	E	H	P	Z-2	
DN8	1/4"	11.5	60.0	28.2	97.4	50.0	28.5 3/16"-24	
DN10	3/8"	12.5	60.0	28.2	97.4	50.0	28.5 3/16"-24	
DN15	1/2"	15.0	75.0	35.7	123.0	58.8	28.5 3/16"-24	
DN20	3/4"	20.0	80.0	40.2	123.0	62.5	35.0 3/16"-24	
DN25	1"	25.0	90.0	45.0	145.0	69.3	35.0 3/16"-24	
DN32	1-1/4"	32.0	110.0	53.4	145.0	76.0	38.0 1/4"-20	
DN40	1-1/2"	38.0	120.0	60.0	189.0	86.9	38.0 1/4"-20	
DN50	2"	50.0	140.0	69.5	189.0	95.0	38.0 1/4"-20	
DN65	2-1/2"	65.0	185.0	91.5	255.0	131.3	55.0 1/4"-20	
DN80	3"	80.0	205.0	102.7	261.0	140.6	55.0 1/4"-20	

DESIGN DESCRIPTION:  
END TO END· DIN3202 M3