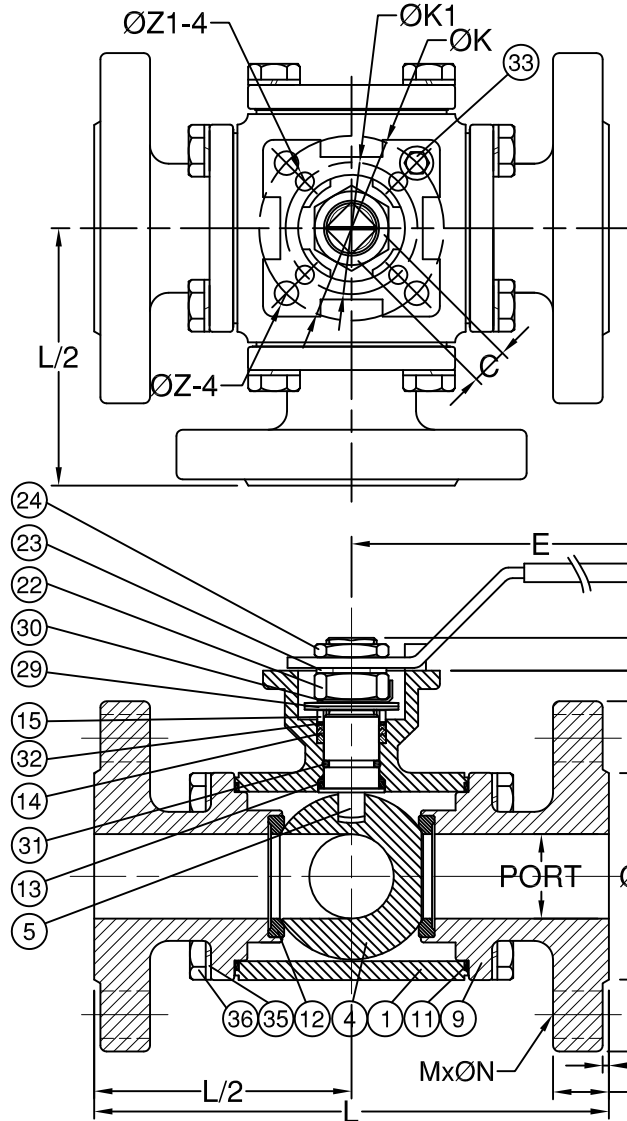
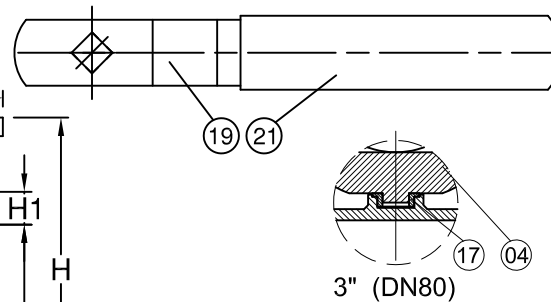


MODEL: **D314T**

**MATERIALS LIST**

NO.	PART NAME	MATERIAL	
1	BODY	EN 1503-1 1.4408	EN 1503-1 1.0619
4	BALL	ASTM A351 Gr.CF8M	
5	STEM	SS316	
9	END CAP	EN 1503-1 1.4408	EN 1503-1 1.0619
11	BODY SEAL	PTFE	
12	SEAT	RTFE(15%G.F.)	
13	THRUST WASHER	RTFE(15%G.F.)	
14	STEM PACKING	RTFE(15%G.F.)	
15	GLAND	SS304	
17	BUSHING	PTFE	
19	HANDLE	SS304	
21	HANDLE COVER	PLASTIC	
22	STEM NUT	SS304	
23	HANDLE WASHER	SS304	
24	HANDLE NUT	SS304	
29	BELLEVILLE WASHER	SS410	
30	STOP WASHER	SS304	
31	O-RING	VITON	
32	PACKING FOLLOWER	PTFE+25%GF	
33	STOP PIN	SS304	
35	BOLT	SS304	
36	BOLT WASHER	SS304	

TURN PORT	0°	90°	180°	270°
	L			
T				



**DIMENSIONS**

SIZE	PORT	L	E	H	H1	H4	C	ØG	ØJ	ØI	T	F	M	ØN	ØK	ØK1	Z	Z1	unit:mm
DN15	1/2"	16	158.0	186.5	89.0	9.0	47.8	9.0	95.0	65.0	45.0	16.0	2.0	4	14.0	42	6.0		
DN20	3/4"	20	169.0	218.0	98.0	11.0	58.2	9.0	105.0	75.0	58.0	18.0	2.0	4	14.0	50	7.0		
DN25	1"	25	185.0	218.0	102.0	11.5	64.0	9.0	115.0	85.0	68.0	18.0	2.0	4	14.0	50	7.0		
DN32	1-1/4"	32	195.0	235.0	118.5	15.2	79.0	14.0	140.0	100.0	78.0	18.0	2.0	4	18.0	70	9.0	7.0	
DN40	1-1/2"	38	232.0	235.0	127.0	14.3	88.5	14.0	150.0	110.0	88.0	18.0	2.0	4	18.0	70	50	9.0	7.0
DN50	2"	50	253.0	252.0	139.0	17.8	105.8	17.0	165.0	125.0	102.0	20.0	2.0	4	18.0	102	70	11.0	9.0
DN65	2-1/2"	65	270.0	302.0	165.7	17.5	117.3	17.0	185.0	145.0	122.0	18.0	2.0	4	18.0	102	70	11.0	9.0
DN80	3"	76	292.2	302.0	170.0	17.5	128.0	17.0	200.0	160.0	138.0	20.0	2.0	8	18.0	102	70	11.0	9.0

MODEL: **D314T**

**MATERIAL LIST**

NO.	PART NAME	MATERIAL
1	BODY	1.4408 / EN1503-1
4	BALL	ASTM A351 Gr.CF8M
5	STEM	SS316
9	END CAP	1.4408 / EN1503-1
11	BODY SEAL	PTFE
11-1	TOP SEAL	PTFE
12	SEAT	RTFE(15%G.F.)
13	THRUST WASHER	RTFE(15%G.F.)
14	STEM PACKING	RTFE(15%G.F.)
15	GLAND	SS304
17	STEM BUSHING	RTFE
17-1	BUSHING	PTFE
19	HANDLE	IRON
21	HANDLE COVER	PLASTIC
28	STOP PLATE	SS304
35	BODY BOLT	SS304
35-1	BODY BOLT	SS304
37	BOLT NUT	SS304
37-1	BOLT NUT	SS304
41	SNAP RING	SS304
42	GLAND BOLT	SS304
42-1	GLAND NUT	SS304
47	GLAND FLANGE	SS304
50	ADAPTER	SS304

**DIMENSIONS**

unit:mm

SIZE	PORT	L	E	H1	H2	H3	C	ØG	ØJ
DN100	4"	100	360	600	70.0	33.0	193.0	27.0	220
DN125	5"	125	416	600	70.0	33.0	233.0	27.0	250
DN150	6"	150	473	800	77.5	43.5	266.0	36.0	285

SIZE	ØI	T	F	M	ØN	ØK	Z
DN100	4"	158	20	2.0	8	18	125
DN125	5"	188	22	2.0	8	18	125
DN150	6"	212	22	2.0	8	22	140

TURN	0°	90°	180°	270°
PORT				
L				
T				

