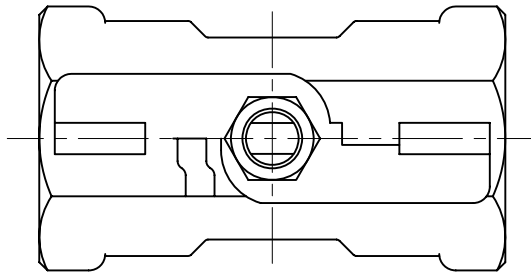


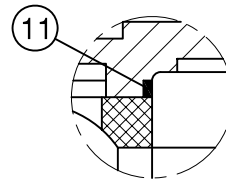
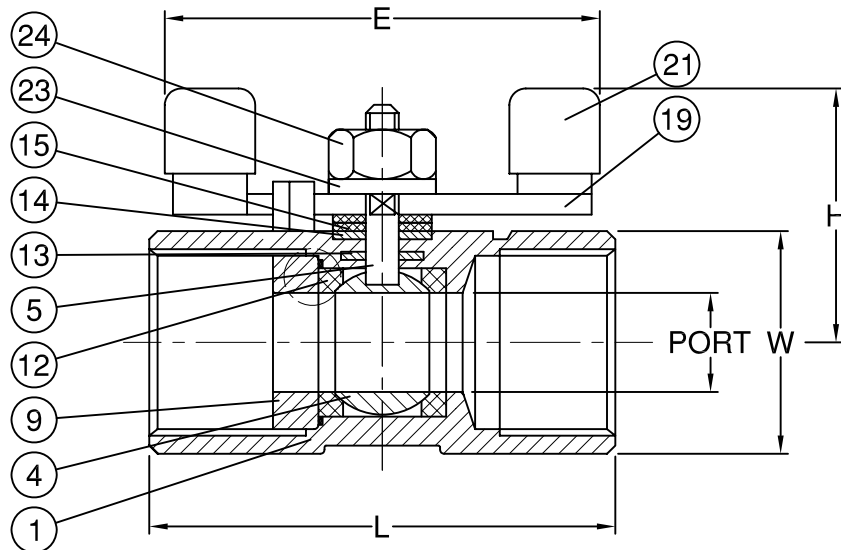
MODEL : D103T

MATERIALS LIST

NO.	PART NAME	MATERIAL
1	BODY	1.4408 / EN1503-1
4	BALL	1/4"~1/2" SS316 3/4"~2" CF8M / EN1503-2
5	STEM	SS316
9	INSERT CAP	1.4408 / EN1503-1
11	BODY SEAL	PTFE
12	SEAT	PTFE
13	THRUST WASHER	PTFE
14	STEM PACKING	PTFE
15	GLAND WASHER	SS304
19	HANDLE	SS304
21	HANDLE COVER	PLASTIC
23	SPRING WASHER	SS304
24	HANDLE NUT	SS304



1/4"~1"
A VIEW



1-1/4"~2"
A VIEW

DIMENSIONS

		unit:mm				
SIZE	PORT	L	E	H	W	
DN8	1/4"	5.0	39.0	50.0	17.0	
DN10	3/8"	7.2	44.0	53.0	21.0	
DN15	1/2"	9.2	56.5	56.0	25.0	
DN20	3/4"	12.5	59.0	56.0	32.0	
DN25	1"	15.0	71.0	70.0	38.0	
DN32	1-1/4"	20.0	78.0	70.0	48.0	
DN40	1-1/2"	25.0	83.0	80.0	53.0	
DN50	2"	32.0	100.0	80.0	64.0	