

MODEL: **D303L**

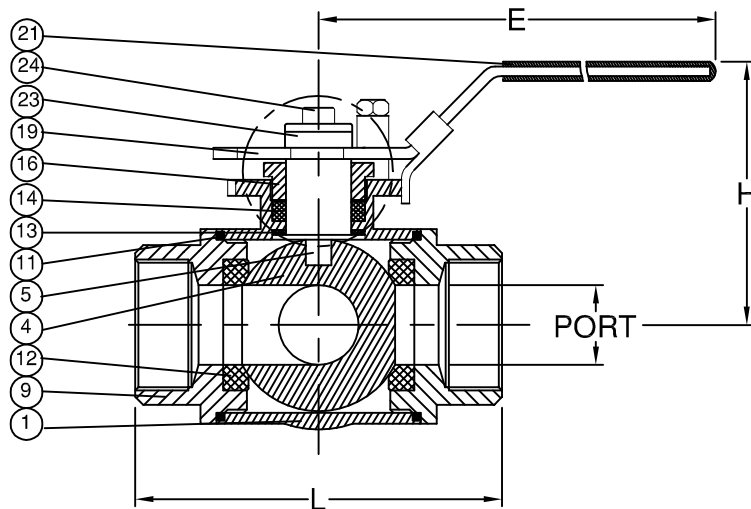
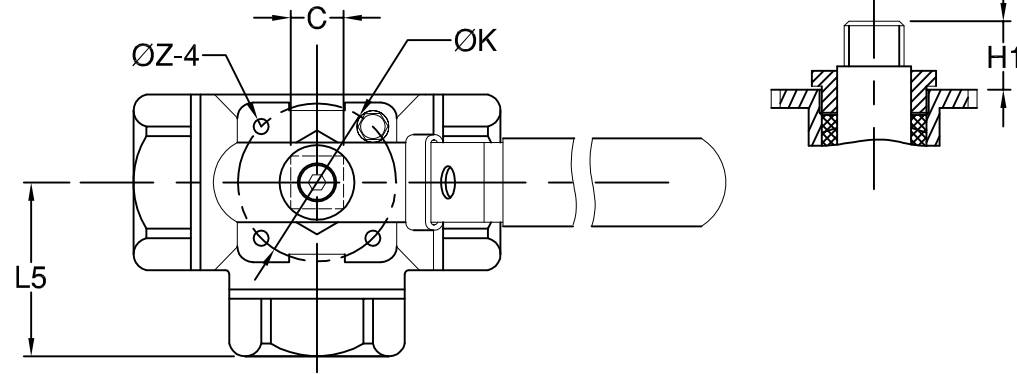
MATERIAL LIST

NO.	PART NAME	MATERIAL
1	BODY	1.4408 / EN1503-1
4	BALL	ASTM A351 Gr.CF8M
5	STEM	SS316
9	END CAP	1.4408 / EN1503-1
11	BODY SEAL	PTFE
12	SEAT	RTFE
13	THRUST WASHER	PTFE
14	STEM PACKING	PTFE
16	GLAND NUT	SS304
19	HANDLE	SS304
21	HANDLE COVER	VINYL GRIP
23	HANDLE WASHER	SS304
24	HANDLE NUT	SS304

DIMENSION

unit:mm

SIZE	PORT	L	L5	E	H	H1	C	ØK	Z-4
DN8	1/4"	11.0	69.4	34.6	133.4	60.7	10.7	9.0	42.0 M5xP0.8
DN10	3/8"	11.0	69.4	34.6	133.4	60.7	10.7	9.0	42.0 M5xP0.8
DN15	1/2"	12.5	75.7	37.3	133.4	64.1	10.7	9.0	42.0 M5xP0.8
DN20	3/4"	16.0	86.6	44.7	178.5	82.4	13.9	11.0	50.0 M6xP1.0
DN25	1"	20.0	102.4	51.4	178.5	86.1	20.0	11.0	50.0 M6xP1.0
DN32	1-1/4"	25.0	118.2	57.7	209.9	91.4	23.8	11.0	50.0 M6xP1.0
DN40	1-1/2"	32.0	125.8	62.7	208.0	102.7	25.8	11.0	70.0 M8xP1.25
DN50	2"	38.0	149.0	74.6	229.9	110.7	25.3	14.0	70.0 M8xP1.25
DN65	2-1/2"	50.0	170.1	85.0	229.9	115.8	24.5	14.0	70.0 M8xP1.25
DN80	3"	65.0	195.1	97.5	265.0	132.0	25.5	17.0	102.0 M10xP1.5



PORT \ TURN	0°	90°	180°	270°
	L			
T				