

Fig No: D3581

MATERIALS LIST

NO.	PART NAME	MATERIAL
1	BODY	CF8M / EN1503-2
4	BALL	CF8M / EN1503-2
5	STEM	SS316
9	END CAP	CF8M / EN1503-2
11	BODY SEAL	PTFE.
12	SEAT	RTFE.
13	THRUST WASHER	RTFE.
14	STEM PACKING	PTFE.
14-1	STEM PACKING	PTFE.+25%GF
15	GLAND BUSH	SS304
19	HANDLE	SS304
21	HANDLE COVER	VINYL
23	HANDLE WASHER	SS304
24	HANDLE NUT	SS304
28	LOCKING DEVICE	SS304 (OPTION)
29	BELLEVILLE WASHER	SS301
30	TAB WASHER	SS304
31	STEM O-RING	VITON
33	STOP PIN	SS304
34	STOP PIN NUT	SS304
35	BODY BOLT	SS304
36	BOLT WASHER	SS304
37	BOLT NUT	SS304

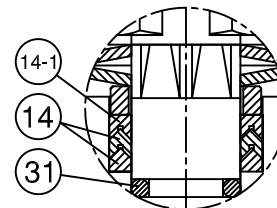
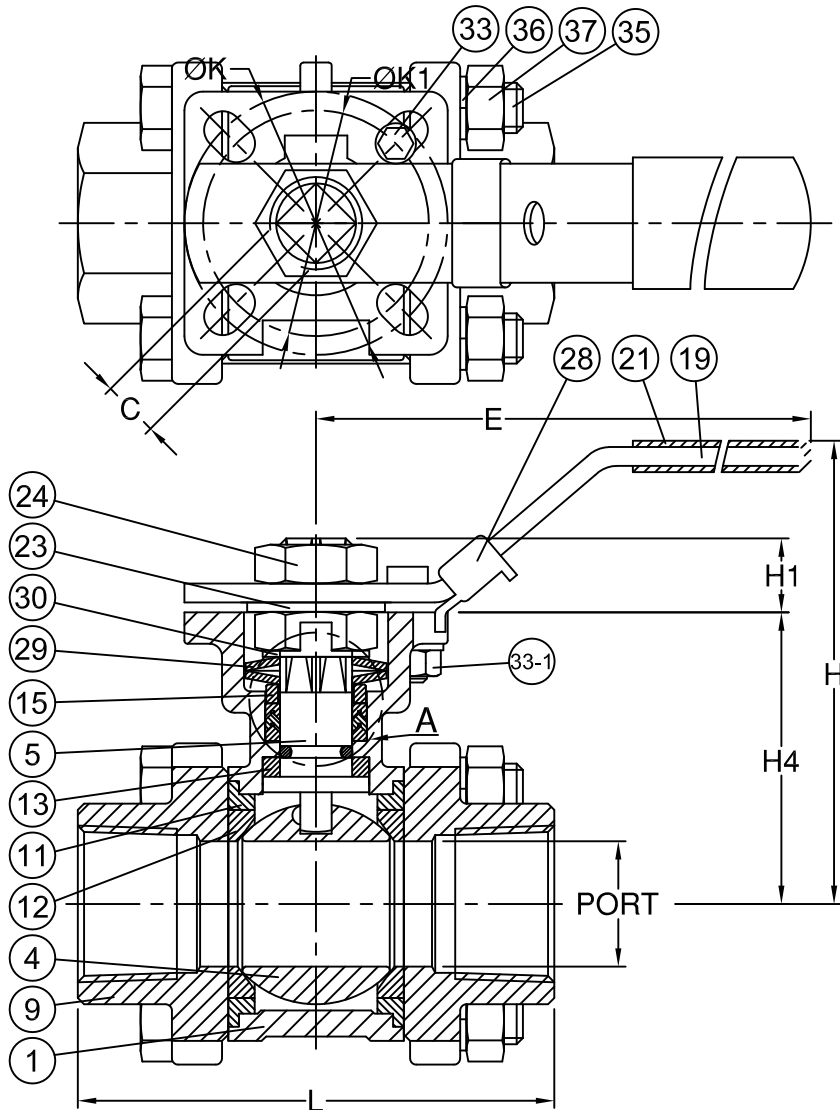
FACE TO FACE: DIN3202 M3

WORKING PRESSURE: DN8~DN50 PN63

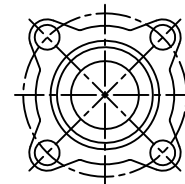
DN65~DN100 PN40

DIMENSIONS

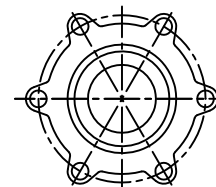
SIZE	PORT	unit:mm								
		L	E	H	H1	H4	C	ØK	ØK1	
DN8	1/4"	11.6	60.0	139.0	77.0	6.1	42.1	9.0	42.0	36.0
DN10	3/8"	12.7	60.0	139.0	77.0	6.1	42.1	9.0	42.0	36.0
DN15	1/2"	15.0	75.0	139.0	77.0	6.1	42.1	9.0	42.0	36.0
DN20	3/4"	20.0	80.0	139.0	83.0	6.6	48.0	9.0	42.0	36.0
DN25	1"	25.0	90.0	165.0	96.0	10.9	56.6	11.0	50.0	42.0
DN32	1-1/4"	32.0	110.0	165.0	100.0	10.9	60.9	11.0	50.0	42.0
DN40	1-1/2"	38.0	120.0	215.0	127.0	13.9	77.5	14.0	70.0	50.0
DN50	2"	50.0	140.0	215.0	135.0	13.9	85.2	14.0	70.0	50.0
DN65	2-1/2"	65.0	185.0	263.0	168.0	16.8	108.7	17.0	102.0	70.0
DN80	3"	80.0	205.0	313.0	176.0	17.8	117.7	17.0	102.0	70.0
DN100	4"	100.0	240.0	344.0	191.0	16.8	132.55	17.0	102.0	70.0



A VIEW



DN8~DN80



DN100