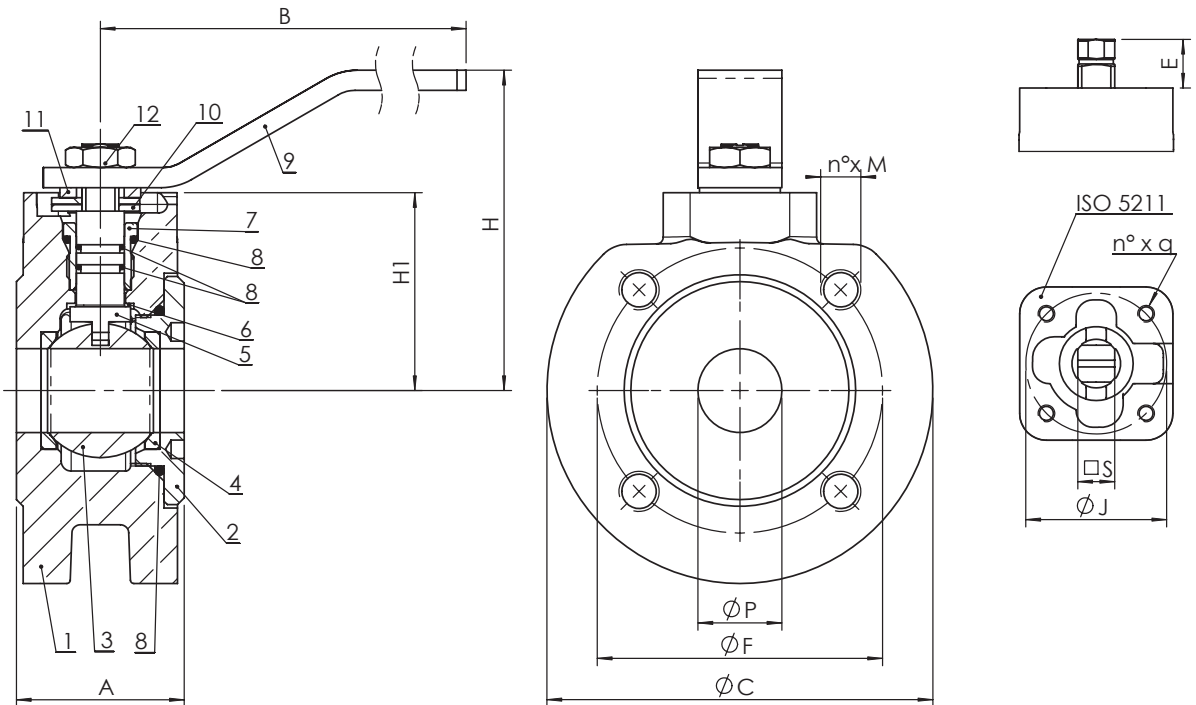
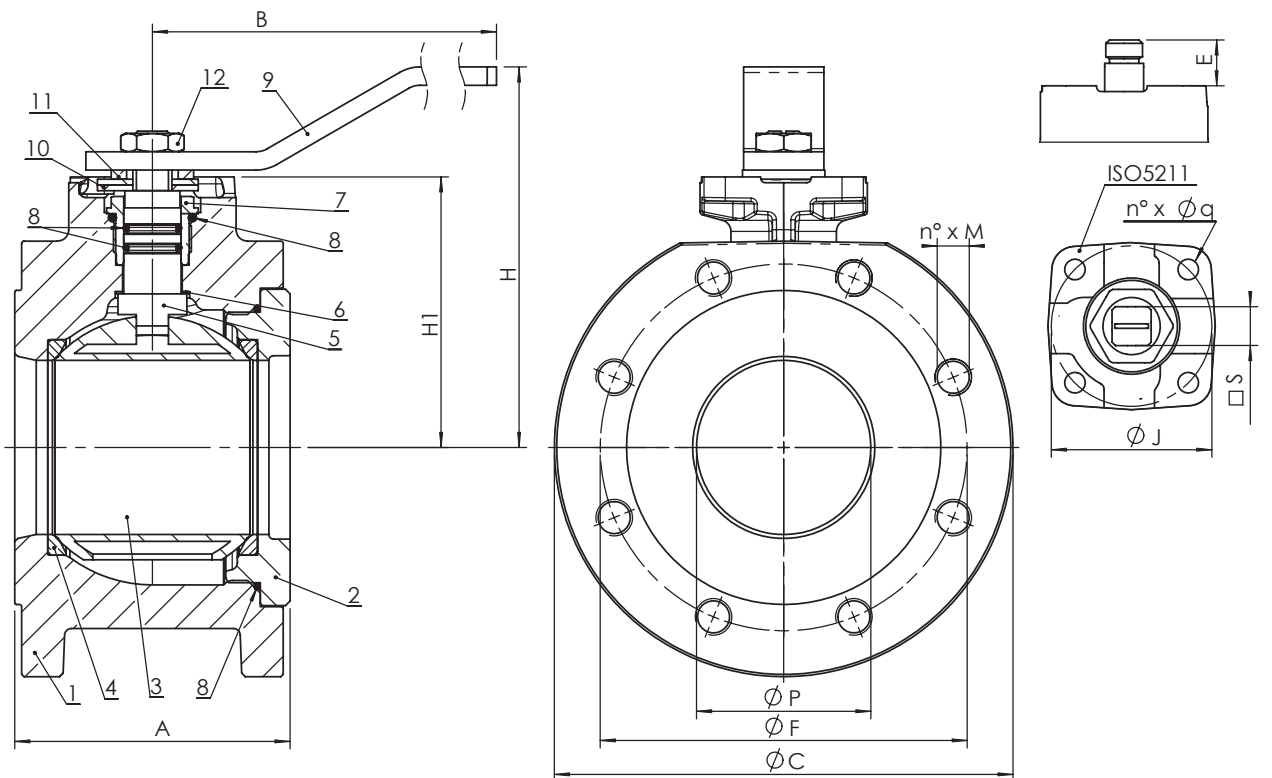


Wafer cast iron ball valve

DN20 - 32



DN40 - 100



Materials

	Component	Material
1	Body	EN GJL 250
2	Flange	EN GJL 250
3	Ball	Brass CuZn40Pb2 chrome plated / AISI304 / AISI316
4	Ball seat	Reinforced PTFE
5	Stem	Brass CuZn40Pb2 / AISI304 / AISI316
6	Sliding washer	PTFE
7	Ring	Brass CuZn40Pb2 / AISI304 / AISI316
8	O-ring	NBR / FKM (Viton®)
9	Lever	Epoxy coated carbon steel
10	Stop plate	Galvanized carbon steel
11	Spring washer	Galvanized carbon steel
12	Nut	Galvanized carbon steel

Dimensions (mm)

DN		20	25	32	40	50	65	80	100
P		20	25	32	40	50	63	76	95
A	not standardized	40	50	55	65	80	100	120	130
H		83	96	101	125	133	142	166	181
H1		52	59	64	78,5	87	95	118	132,5
B		160	170	170	230	230	230	280	360
C	EN 1092/2 PN16	105	115	140	150	165	185	200	220
n° x M		4x M12	4x M12	4x M16	4x M16	4x M16	4x M16	8x M16	8x M16
F		75	85	100	110	125	145	160	180
ISO 5211		F03	F04	F04	F05	F05	F05	F07	F07
J		36	42	42	50	50	50	70	70
n° x q		4x M5	4x M5	4x M5	4x7	4x7	4x7	4x9	4x9
E		11,5	14,5	14,5	17,5	17,5	17,5	20	20
S		9	11	11	14	14	14	17	17

Weight (kg)

E01.000	1,9	2,54	3,6	5,1	6,4	8,8	11,5	14,8
E01.010 - E01.011	1,9	2,54	3,6	5,4	7,1	10,5	12,7	18,5

Operating torque (Nm)

Nm	15	18	18	18	20	40	70	100
----	----	----	----	----	----	----	----	-----

N.B.: In order to choose the right actuator, we recommend multiplying the operating torque figure by a safety coefficient, $K=1.5$

Wafer cast iron ball valve

Maximum pressure

Fluids *	Mounting	
	BETWEEN FLANGES	END OF LINE
Hazardous gases G1	NO	NO
Hazardous liquids L1	16 bar	10 bar
All remaining fluids G2, L2	16 bar	10 bar

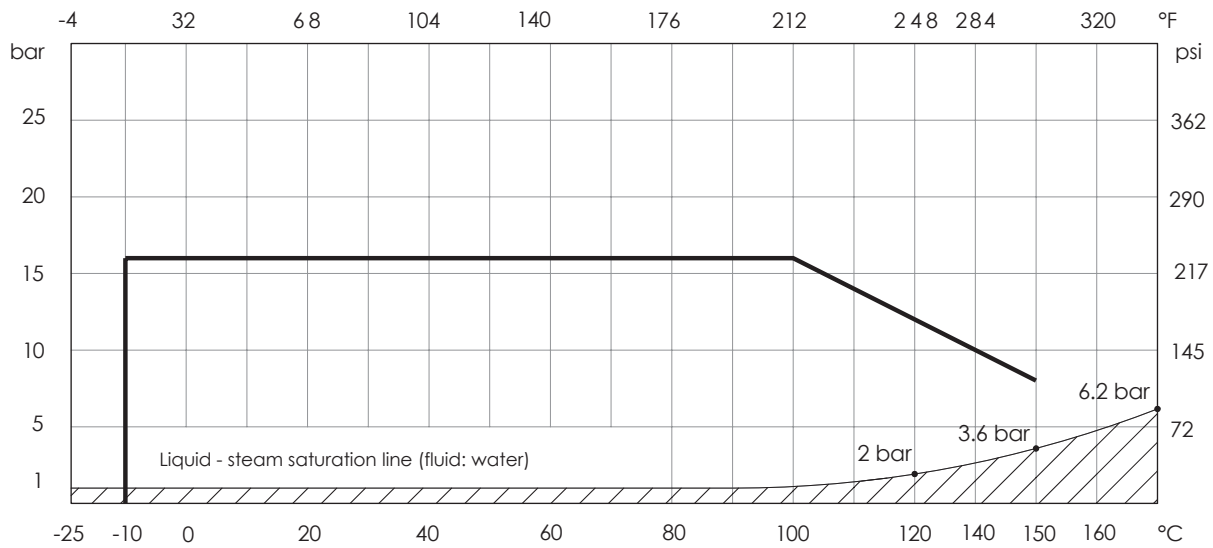
*: Hazardous gas, liquids (explosive, inflammable, toxic) in accordance with 97/23/CE PED and 67/548/EEC

Temperature

Temperature	min °C	Max°C			
		continuous		peak	
		L1	G2,L2	L1	G2,L2
NBR	-10	100	100	-	110
FKM (Viton®)	-10	100	150	-	170

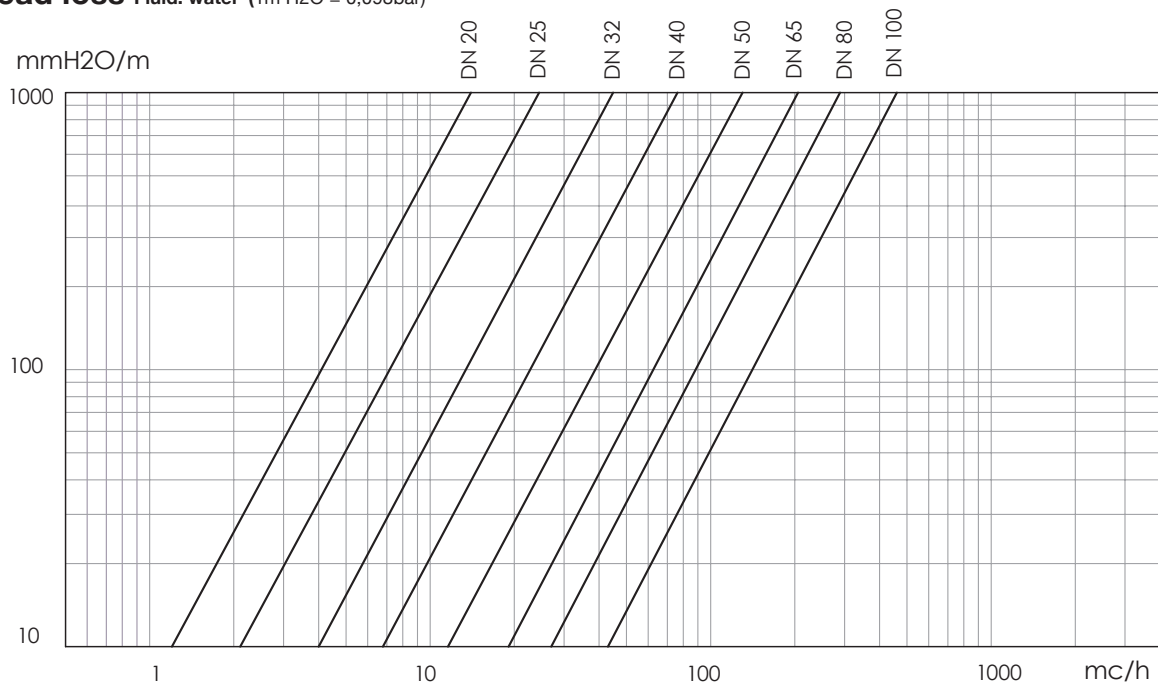
NB: the maximum working pressure decreases while the temperature increases; please refer to "pressure/temperature" chart
G1, L1, G2, L2: see chart to side

Pressure/temperature chart



RANGE NOT SUITABLE FOR STEAM. DO NOT use when temperature and pressure are below the liquid-steam saturation line (hatched area)

Head loss Fluid: water (1m H₂O = 0,098bar)



Kv - DN chart

DN	20	25	32	40	50	65	80	100
Kv	47,7	83,5	150,4	255	435	672	947	1508

Versions

O-Ring: NBR



E010

Body: EN GJL 250
Ball: Brass CuZn40Pb2
Stem: Brass CuZn40Pb2
O-ring: NBR
Temp: -10 +100°C

E011

Body: EN GJL 250
Ball: AISI 304
Stem: Brass CuZn40Pb2
O-ring: NBR
Temp: -10 +100°C

E012

Body: EN GJL 250
Ball: AISI 304
Stem: AISI 304
O-ring: NBR
Temp: -10 +100°C

Coating: **RAL 5002** colour

O-Ring: FKM



E013

Body: EN GJL 250
Ball: Brass CuZn40Pb2
Stem: Brass CuZn40Pb2
O-ring: FKM
Temp: -10 +150°C

E014

Body: EN GJL 250
Ball: AISI 304
Stem: Brass CuZn40Pb2
O-ring: FKM
Temp: -10 +150°C

E015

Body: EN GJL 250
Ball: AISI 304
Stem: AISI 304
O-ring: FKM
Temp: -10 +150°C

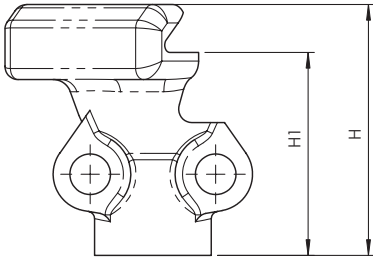
Coating: **RAL 5002** colour

*** Most suitable for district heating → for water up to 150 °C**

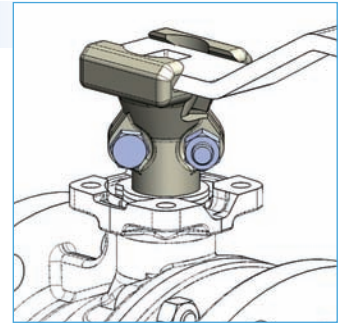
Special versions on request.

Accessories for series E01

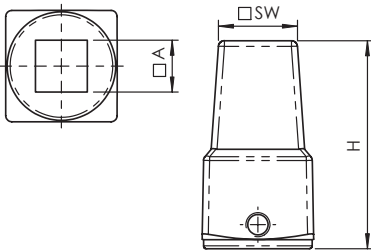
Stem extension for thermal insulation



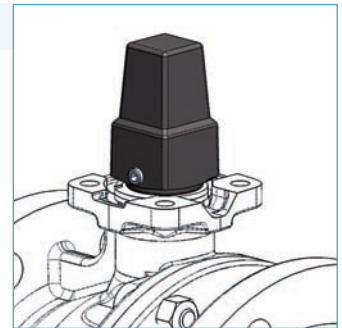
DN	40-50-65	80-100-125-150
H	68	68
H1	55	55



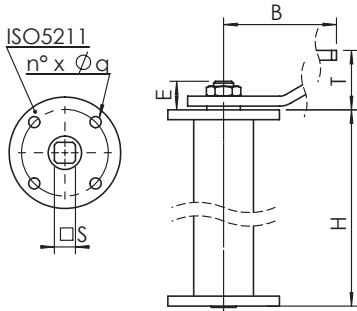
Square cap for water main system connection



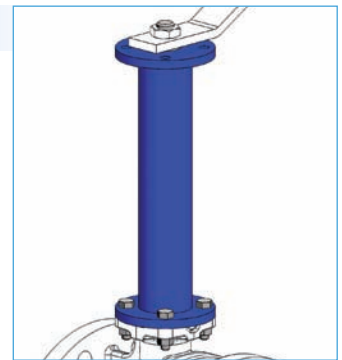
DN	40-50-65	80-100	125-150
SW	26	26	26
A	14	17	22
H	69	69	71



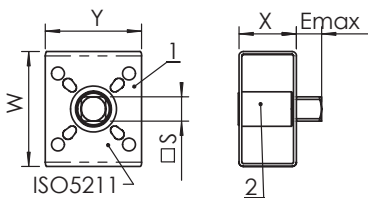
Stem extension for water main system connection



DN	40	50	65	80	100	125	150
H	250-500-800-1000						
T	48	48	48	48	48	59	59
B	230	230	230	280	360	450	560
ISO 5211	F05	F05	F05	F07	F07	F10	F10
J	50	50	50	70	70	102	102
n° x Øq	4 x 7	4 x 7	4 x 7	4 x 9	4 x 9	4 x 11	4 x 11
E	22	22	22	23	23	27	27
S	14	14	14	17	17	22	22



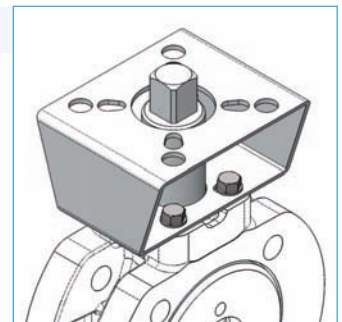
Kit ISO 5211 flange



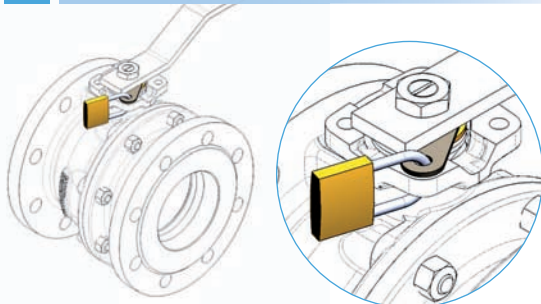
- 1) Bracket
- 2) Joint

DN	15-20	25-32	40-50-65	80	100	125	150
ISO 5211*	F04-05-07	F04-05-07	F05-07	F10-12	F10-12	F10-12	F10-12-14
S x E	14 x 14	17 x 17	17 x 17	22 x 22	27 X 27	27 X 27	36 X 36
S1 x E1**	11 x 11	11 x 11	-	-	-	-	-
Drilling valve side	F03-04	F03-04	F05-07	F07-10	F07-10	F07-10	F10-12-14
X	40	40	50	60	60	60	80
Y	70	70	70	120	120	120	140
W	80	80	100	120	120	120	160

* Drilling actuator side ** for E01 series Other top squares S on request



Kit lockable operation lever



Kit limit switches for ON/OFF position indicator

