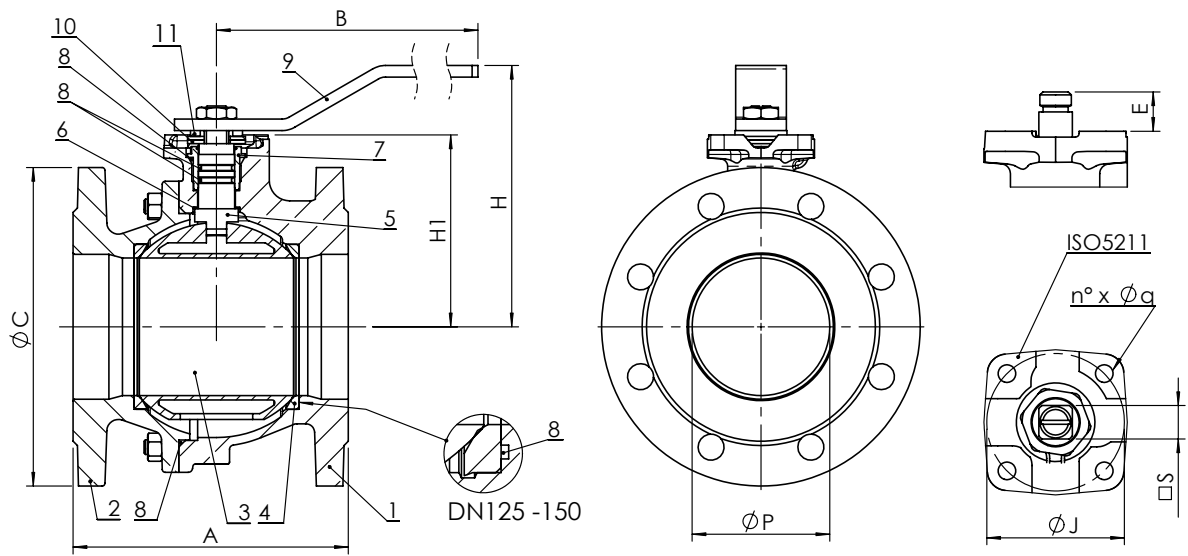
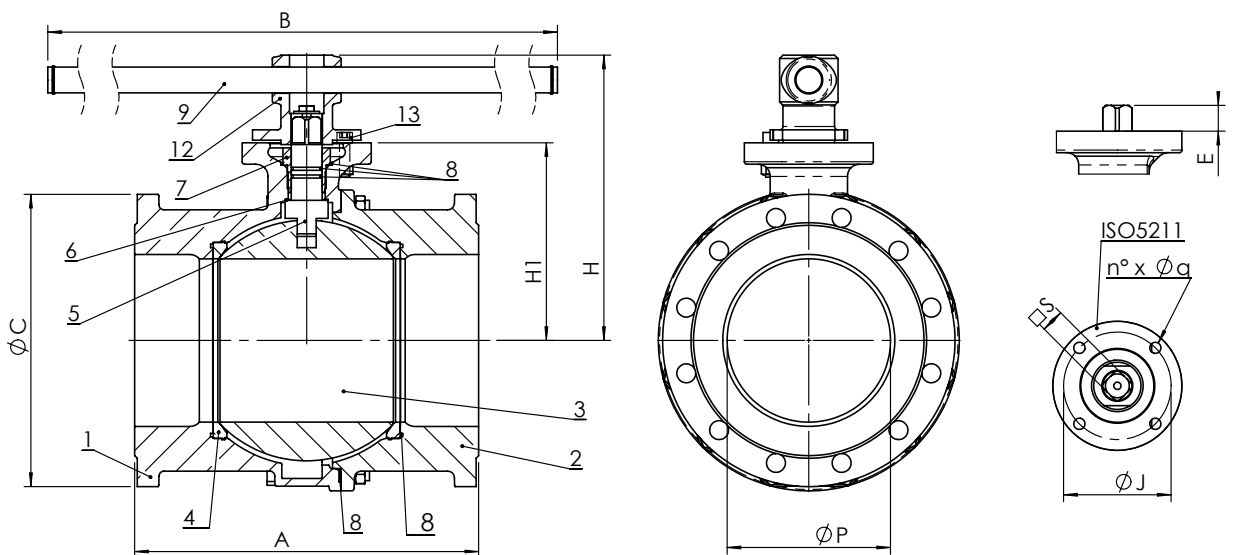


Flanged ductile iron ball valve

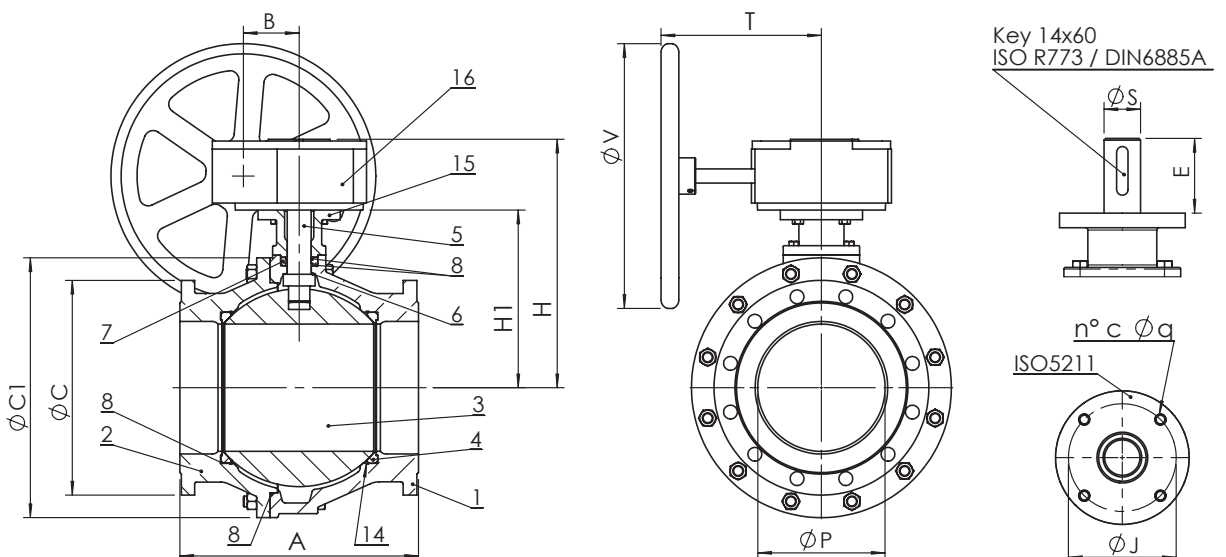
DN 15-150



DN 200



DN 250



Materials

	Component	Material
1	Body	EN GJS 400-15 / EN GJL250*, epoxy coated
2	Flange	EN GJS 400-15 / EN GJL250*, epoxy coated
3	Ball	Brass CuZn40Pb2 chrome plated / AISI 304 / AISI 316 / EN GJL250**
4	Ball seat	Reinforced PTFE
5	Stem	Brass CuZn40Pb2 / AISI 304 / AISI 316
6	Sliding washer	PTFE
7	Ring	Brass CuZn40Pb2 / AISI 304 / AISI 316
8	O-Ring	NBR /FKM (Viton®)
9	Lever	Carbon steel, epoxy coated
10	Stop plate	Galvanized carbon steel
11	Spring washer	Galvanized carbon steel
12	Lever hub	EN GJS 400-15
13	Lever stop	Galvanized carbon steel
14	Anti-blow-out ring	AISI 302
15	Mounting pad for gear box	EN GJS 400-15 / EN GJL 250
16	Gear box	-
17	Bolts	Galvanized carbon steel

*: only DN 200-250

** : DN 250 with ball in EN GJL 250 - CODE: 02.040

Dimensions (mm)

DN		15	20	25	32	40	50	65	80	100	125	150	200	250***
P		15	20	25	32	40	50	63	76	95	120	145	190	240
A	EN 558/1 - 14 (ex DIN 3202 F4)	115	120	125	130	140	150	170	180	190	200	210	-	-
A	EN 558/1 - 14 (ex DIN 3202 F5)	-	-	-	-	-	-	-	-	-	-	-	400	450
A	EN 558/1 - 29 (ex NF 29-323)	-	-	-	-	136	142	154	160	172	186	200	-	-
H		84	84	96	101	125	135	143	165	180	225	243	320	448
H1		50,5	52	59	64	78,5	87	95	118	132,5	165	182,5	230	335
B		160	160	170	170	230	230	230	280	360	450	560	1000	101
C	EN1092/2 PN 16	95	105	115	140	150	165	185	200	220	250	285	340	405
C1		-	-	-	-	-	-	-	-	-	-	-	-	490
V		-	-	-	-	-	-	-	-	-	-	-	-	500
T		-	-	-	-	-	-	-	-	-	-	-	-	284
ISO 5211		F04	F04	F04	F04	F05	F05	F05	F07	F07	F10	F10	F12	12
J		42	42	42	42	50	50	50	70	70	102	102	125	125
n° x Øq		4 x 6	4 x 6	4 x 6	4 x 6	4 x 7	4 x 7	4 x 7	4 x 9	4 x 9	4 x 11	4 x 11	4 x 13	4 x 13
E		11,5	11,5	14,5	14,5	17,5	17,5	17,5	20	20	24,5	24,5	27	92
S		□ 9	□ 9	□ 11	□ 11	□ 14	□ 14	□ 14	□ 17	□ 17	□ 22	□ 22	□ 27	□ 45

Weight (kg)

E021	2,6	3,3	4,2	5,8	7,5	9	10,5	15,5	18,5	28	38,5	93	180
E022	2,6	3,3	4,2	5,8	7,8	9,7	12,2	16,7	22,2	35,8	46,6	117	180

Operating torque (Nm)

Nm	15	15	18	18	18	20	40	70	100	180	250	600	2000
----	----	----	----	----	----	----	----	----	-----	-----	-----	-----	------

N.B.: In order to choose the right actuator, we recommend multiplying the operating torque figure by a safety coefficient, K=1.5

***: The diameter DN 250 is supplied with gear box as standard

Drilling

DN		15	20	25	32	40	50	65	80	100	125	150	200	250
Dimensions of flanges according to PN 16EN1092/2	Drilling PN 16 EN1092/2	std	std	std	std	std	std	std	std	std	std	std	std	std
	Drilling PN 10 EN1092/2	=	=	=	=	=	=	=	=	=	=	=	opt	opt
	Drilling PN 6 EN1092/2	opt	opt	opt	opt	opt	opt	opt	opt	opt	opt	opt	opt	opt
	Drilling PN 25 EN1092/2	=	=	=	=	=	=	=	opt	=	no	no	no	no
	Drilling ANSI B16.5 #150	opt	opt	opt	opt	opt	opt	opt	opt	opt	opt*	opt	opt	opt

std: standard / opt: option on request / =: same as PN16

Flanged ductile iron ball valve

Maximum pressure

Fluids *	Mounting	
	BETWEEN FLANGES	END OF LINE
Hazardous gases	16 bar DN15-200 10 bar DN250	10 bar DN15-100 NO DN125-250
Hazardous liquids	16 bar DN15-200 10 bar DN250	10 bar
All remaining fluids	16 bar DN15-200 10 bar DN250	10 bar

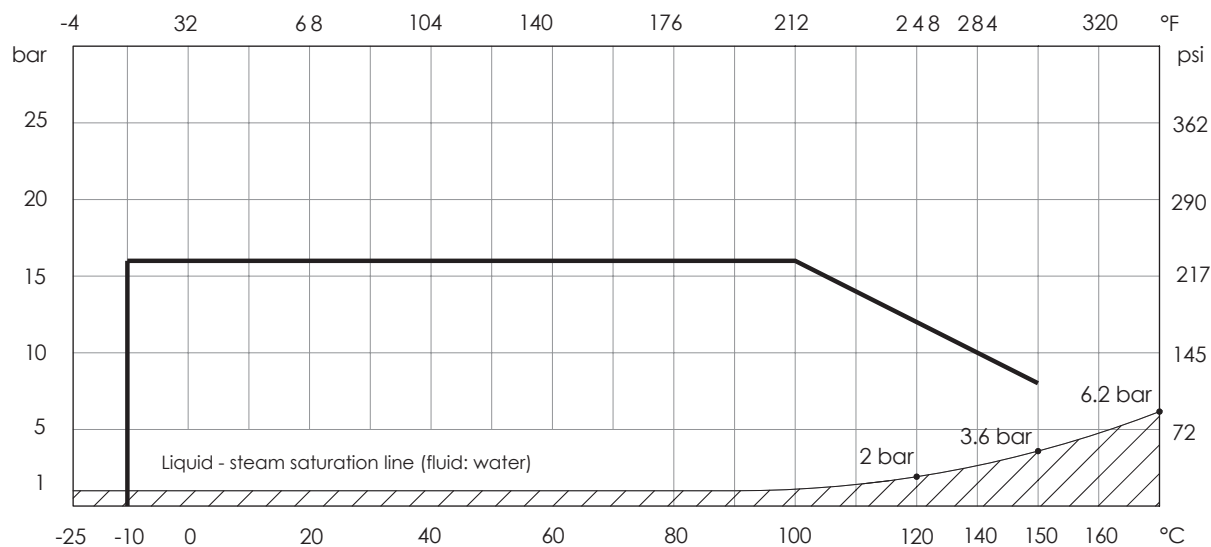
*: Hazardous gas, liquids (explosive, inflammable, toxic) in accordance with 97/23/CE PED and 67/548/EEC

Temperature

Temperature	min °C	Max°C	
		continuous	peak
NBR	-10	100	110
FKM (Viton®)	-10	150	170

NB: the maximum working pressure decreases while temperature increases, please refer to "pressure/temperature" chart

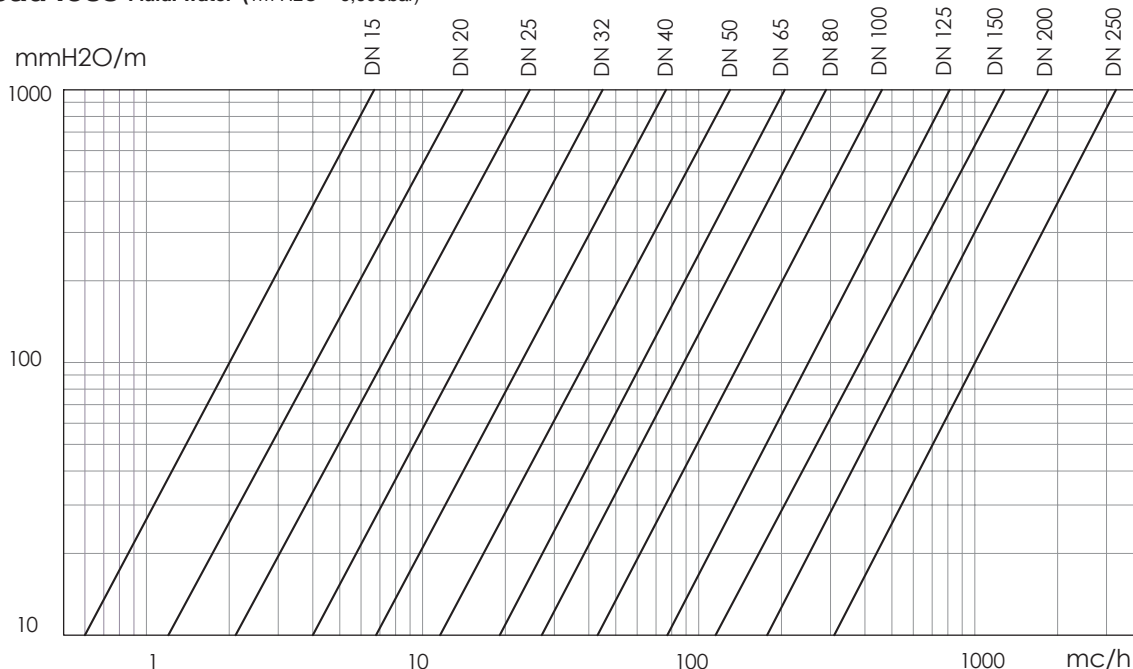
Pressure/temperature chart



RANGE NOT SUITABLE FOR STEAM. DO NOT use when temperature and pressure are below the liquid-steam saturation line (hatched area)



Head loss Fluid: water (1m H2O = 0,098bar)



Kv - DN chart

DN	15	20	25	32	40	50	65	80	100	125	150	200	250
Kv	22,3	47,7	83,5	150,4	255	435	672	947	1508	2633	4261	5957	10510

Versions

O-Ring: NBR



E021

Body: EN GJS 400-15
Ball: Brass CuZn40Pb2
Stem: Brass CuZn40Pb2
O-ring: NBR
Temp: -10 +100°C

E022

Body: EN GJS 400-15
Ball: AISI 304
Stem: Brass CuZn40Pb2
O-ring: NBR
Temp: -10 +100°C

E023

Body: EN GJS 400-15
Ball: AISI 304
Stem: AISI 304
O-ring: NBR
Temp: -10 +100°C

E024

Body: EN GJS 400-15
Ball: AISI 316
Stem: AISI 304
O-ring: NBR
Temp: -10 +100°C

Available with item code **E02** → for dimensions DN 200 – 250

Body: EN GJL 250

Body: EN GJL 250

Body: EN GJL 250

Body: EN GJL 250

Coating: **RAL 5002** colour

For Gas



E025 Gas

Body: EN GJS 400-15
Ball: Brass CuZn40Pb2
Stem: Brass CuZn40Pb2
O-ring: NBR
Temp: -10 +70°C

E026 Gas

Body: EN GJS 400-15
Ball: AISI 304
Stem: Brass CuZn40Pb2
O-ring: NBR
Temp: -10 +70°C

E027 Gas

Body: EN GJS 400-15
Ball: AISI 304
Stem: AISI 304
O-ring: NBR
Temp: -10 +70°C

E028 Gas

Body: EN GJS 400-15
Ball: AISI 316
Stem: AISI 304
O-ring: NBR
Temp: -10 +70°C

Coating: **RAL 5002** colour

O-Ring: FKM



E021 FKM

Body: EN GJS 400-15
Ball: Brass CuZn40Pb2
Stem: Brass CuZn40Pb2
O-ring: FKM
Temp: -10 +150°C

E022 FKM

Body: EN GJS 400-15
Ball: AISI 304
Stem: Brass CuZn40Pb2
O-ring: FKM
Temp: -10 +150°C

E023 FKM

Body: EN GJS 400-15
Ball: AISI 304
Stem: AISI 304
O-ring: FKM
Temp: -10 +150°C

E024 FKM

Body: EN GJS 400-15
Ball: AISI 316
Stem: AISI 304
O-ring: FKM
Temp: -10 +150°C

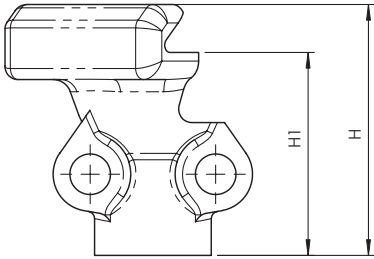
Coating: **RAL 5002** colour

*** Most suitable for district heating → for water up to 150 °C**

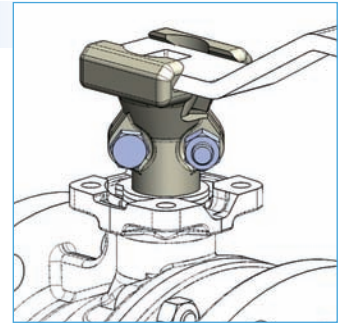
Special versions on request

Accessories for series E02

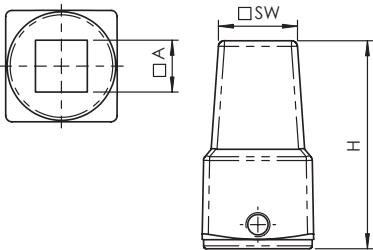
Stem extension for thermal insulation



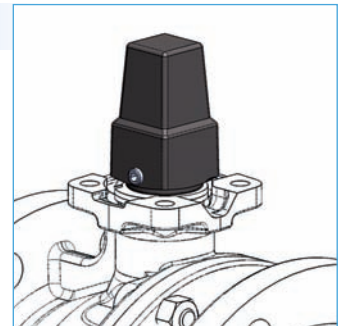
DN	40-50-65	80-100-125-150
H	68	68
H1	55	55



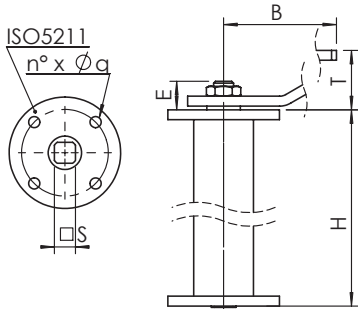
Square cap for water main system connection



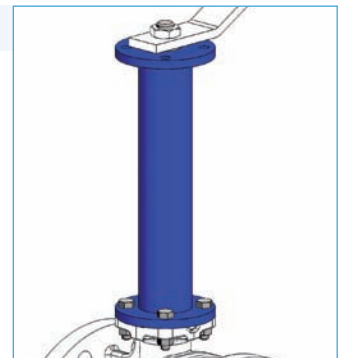
DN	40-50-65	80-100	125-150
SW	26	26	26
A	14	17	22
H	69	69	71



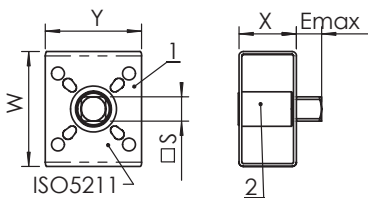
Stem extension for water main system connection



DN	40	50	65	80	100	125	150
H	250-500-800-1000						
T	48	48	48	48	48	59	59
B	230	230	230	280	360	450	560
ISO 5211	F05	F05	F05	F07	F07	F10	F10
J	50	50	50	70	70	102	102
n° x Øq	4 x 7	4 x 7	4 x 7	4 x 9	4 x 9	4 x 11	4 x 11
E	22	22	22	23	23	27	27
S	14	14	14	17	17	22	22



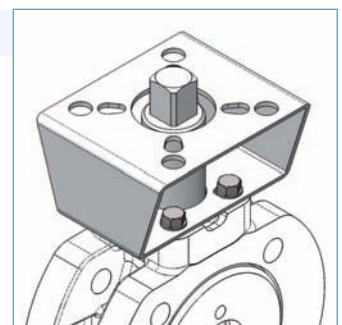
Kit ISO 5211 flange



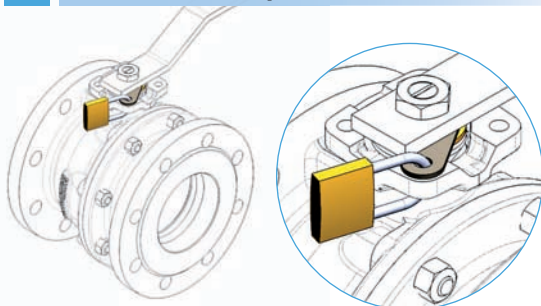
- 1) Bracket
- 2) Joint

DN	15-20	25-32	40-50-65	80	100	125	150
ISO 5211*	F04-05-07	F04-05-07	F05-07	F10-12	F10-12	F10-12	F10-12-14
S x E	14 x 14	17 x 17	17 x 17	22 x 22	27 X 27	27 X 27	36 X 36
S1 x E1**	11 x 11	11 x 11	-	-	-	-	-
Drilling valve side	F03-04	F03-04	F05-07	F07-10	F07-10	F07-10	F10-12-14
X	40	40	50	60	60	60	80
Y	70	70	70	120	120	120	140
W	80	80	100	120	120	120	160

* Drilling actuator side ** for E02 series Other top squares S on request



Kit lockable operation lever



Kit limit switches for ON/OFF position indicator

