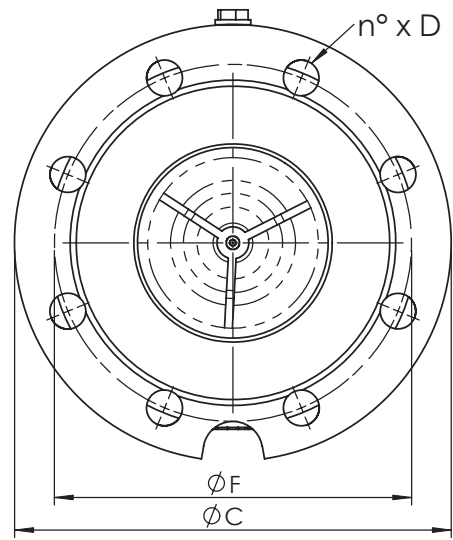
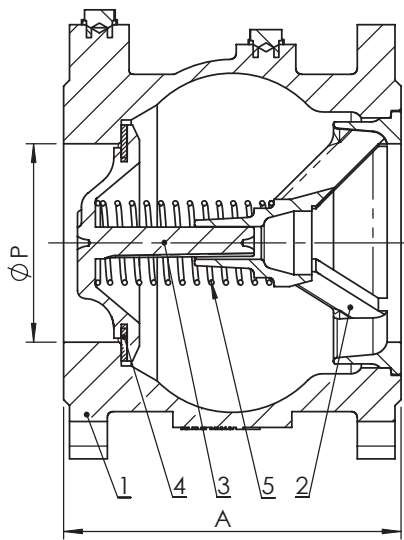
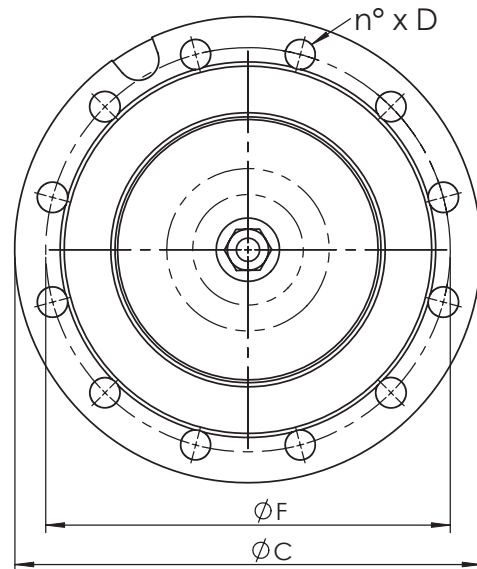
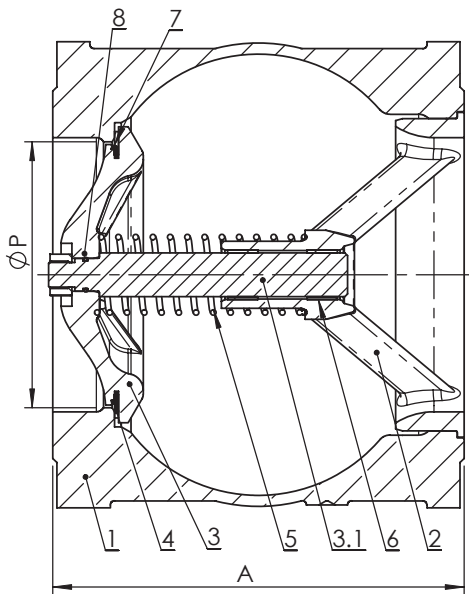


# Spring check valve

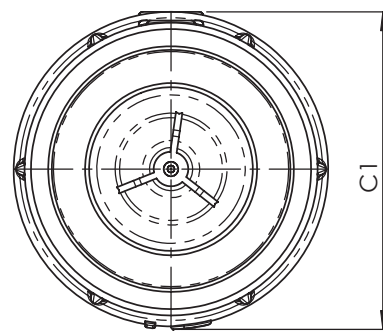
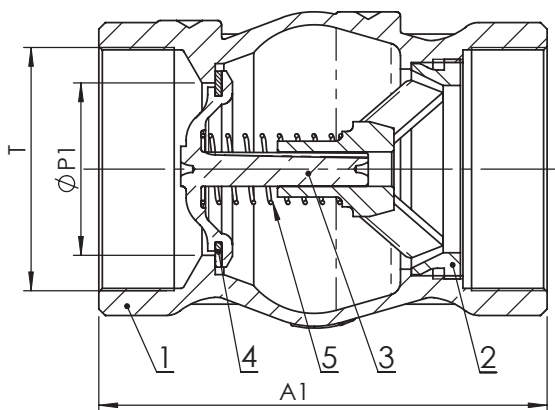
EF5 DN50 - 100



EF5 DN125 - 250



ET5



## Materials

	Component	Material
1	Body	EN GJL 250
2	Stem guide DN50-100	CuZn40Pb2 / ASTM A351 gr. CF8M
	Stem guide DN125-250	EN GJL 250 / ASTM A351 gr. CF8M
	Stem guide DN200-250	ASTM A216 gr. WCB / ASTM A351 gr. CF8M
3	Shutter DN 50-100	EN GJL 250 / ASTM A351 gr. CF8M
	Shutter DN 125-250	EN GJL 250 / ASTM A351 gr. CF8M
3.1	Shutter stem	CuZn40Pb2 / ASTM A351 gr. CF8M
4	Gasket	NBR / FKM (Viton®)
5	Spring	AISI 302
6	Bushing	Bronze
7	Anti-blow out ring	AISI 302
8	O-ring DN 200-250	NBR / FKM (Viton®)





## Dimensions (mm)

DN		40	50	65	80	100	125	150	200	250
P		50	50	65	80	100	125	145	194	242
A	Not standardized	100	100	120	140	170	200	230	300	370
C		165	165	185	200	220	250	285	340	405
F	EN 1092 PN16	110	125	145	160	180	210	240	295	355
n° x D		4 x M16	4 x 18	4 x 18	8 x 18	8 x 18	8 x 18	8 x 22	12 x 22	12 x 26
T	ISO 228-1	-	2"	2" -1/2	3"	4"	-	-	-	-
P1		-	50	64	64	80	-	-	-	-
A1	Not standardized	-	140	167	177	208	-	-	-	-
C1		-	96	125	125	148	-	-	-	-

## Weight (kg)

EF5		5,6	5,6	7,6	9,8	13,8	20,6	28,6	48,6	81,4
ET5		-	2,2	3,2	4,2	7,4	-	-	-	-

## Cracking pressure (mmH2O)

Flow direction	DN	40	50	65	80	100	125	150	200	250
		639	639	647	592	624	570	526	639	690
		382	382	316	280	318	180	165	221	204
		510	510	480	436	470	375	345	429	448
	without spring	125	125	165	155	152	203	185	208	244

# Spring check valve

## Maximum pressure

Fluids *	
Hazardous gases G1	NO
Hazardous liquids L1	16 bar DN50-200 10 bar DN250
All remaining fluids G2, L2	16 bar DN50-200 10 bar DN250

\*: Hazardous gas, liquids (explosive, inflammable, toxic) in accordance with 97/23/CE PED and 67/548/EEC

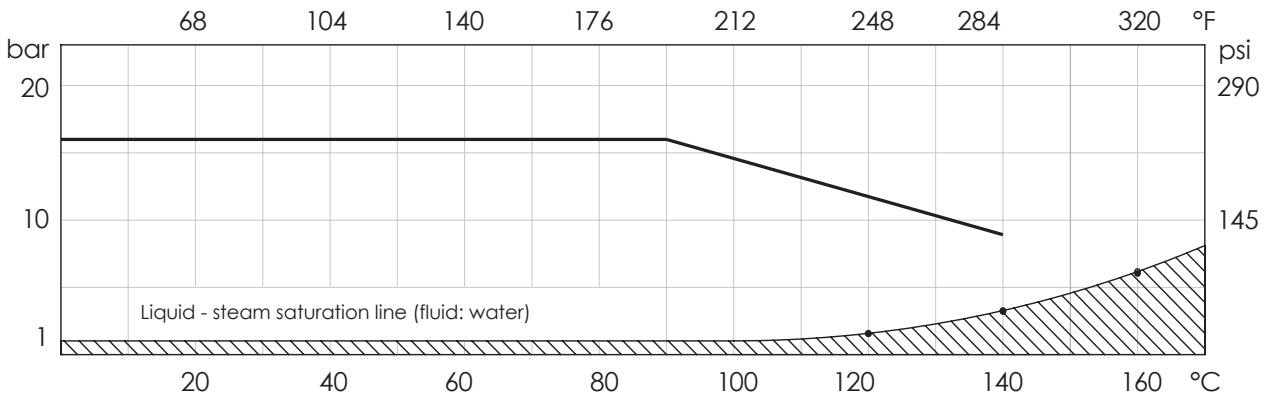
<b>Minimum pressure</b>	<b>refer to chart</b>
<b>Minimum Counterpressure</b>	<b>0,1 bar</b>

## Temperature

Temperature	min °C	Max°C			
		continuous		peak	
		L1	G2,L2	L1	G2,L2
NBR	-10	100	100	-	110
FKM (Viton®)	-10	100	150	-	170
Rubber for drinking water	-10	-	70	-	-

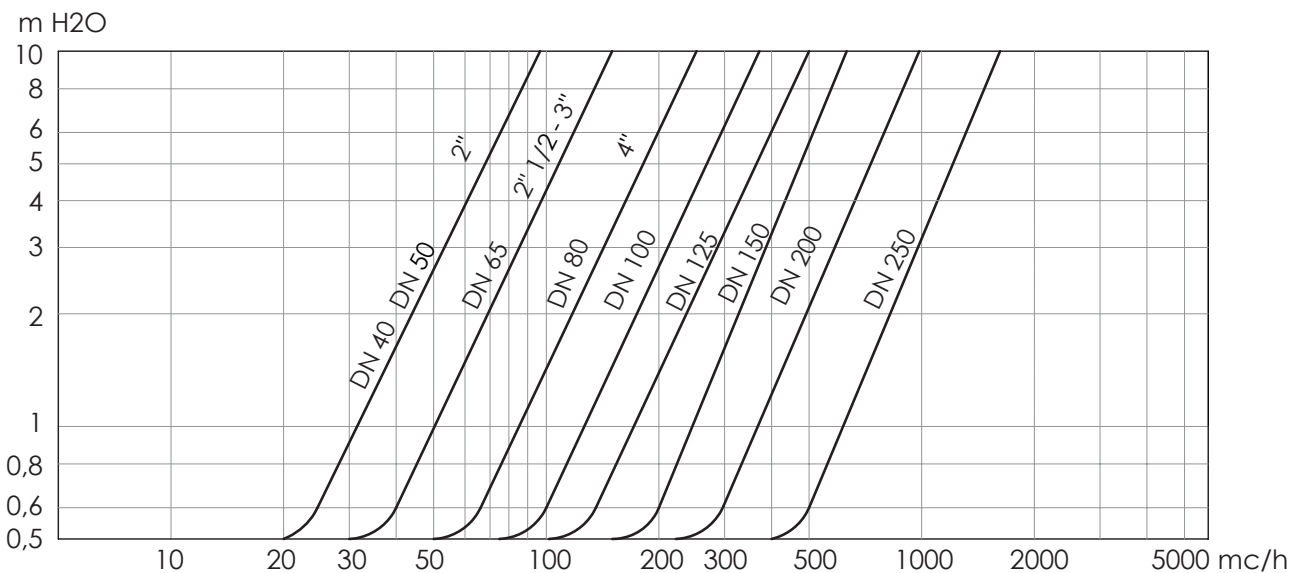
NB: the maximum working pressure decreases while the temperature increases; please refer to "pressure/temperature" chart  
G1, L12, G2, L2: see chart to side

## Pressure/temperature chart



**RANGE NOT SUITABLE FOR STEAM.** DO NOT use in case temperature and pressure are below the saturation line liquid-steam (hatched area)

## Head loss Fluid: water (1m H2O = 0,098bar)



## Kv-DN chart

DN	mc/h	40	50	65	80	100	125	150	200	250
Kv		99	99	145	258	360	516	620	985	1620

## Versions

### EF5 - flanged



#### EF5.000

Body: EN GJL 250  
 Trim material:  
 DN 50-100: Brass CuZn40Pb2  
 DN 125-250: EN GJL 250  
 Seal: NBR  
 Temp: -10 +100°C

#### EF5.020

Body: EN GJL 250  
 Trim material: AISI 316  
 Seal: NBR  
 Temp: -10 +100°C

#### EF5.002

Body: EN GJL 250  
 Trim material:  
 DN 50-100: Brass CuZn40Pb2  
 DN 125-250: EN GJL 250  
 Seal: FKM  
 Temp: -10 +140°C

#### EF5.022

Body: EN GJL 250  
 Trim material: AISI 316  
 Seal: FKM  
 Temp: -10 +140°C

#### EF5.028

Body: EN GJL 250  
 Trim material: AISI 316  
 Seal: Silicon rubber  
 (approved for drinking water)  
 Temp: -10 +70°C

Coating: **RAL 5002** colour

### ET5 - threaded F/F



#### ET5.000

Body: EN GJL 250  
 Trim material: Brass CuZn40Pb2  
 Seal: NBR  
 Temp: -10 +100°C

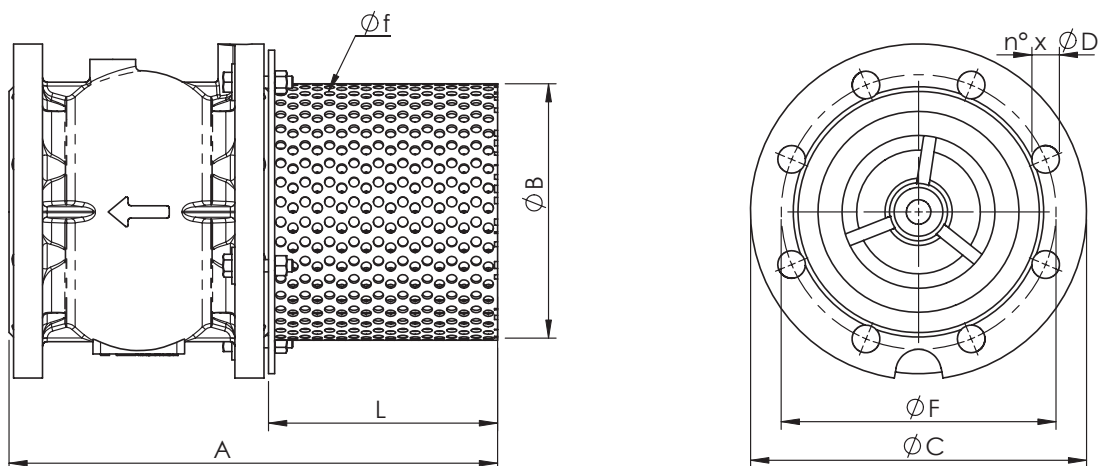
#### ET5.002

Body: EN GJL 250  
 Trim material: Brass CuZn40Pb2  
 Seal: FKM  
 Temp: -10 +140°C

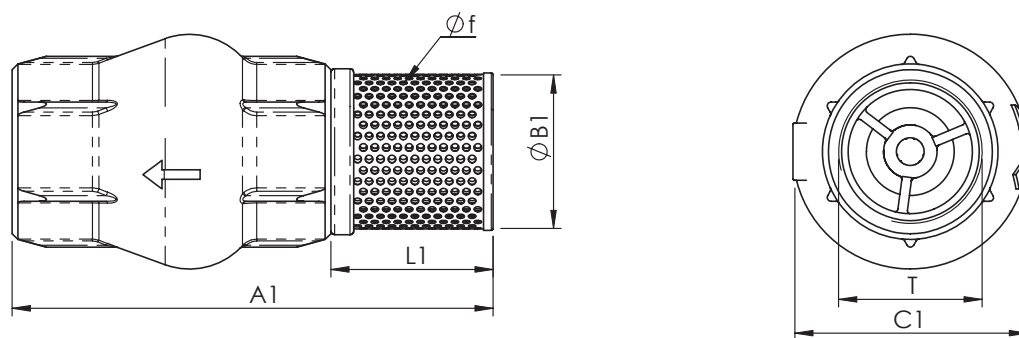
Coating: **RAL 5002** colour

## Foot valve

EF5 + 50



ET5 + 51



### Dimensions (mm)

DN		40	50	65	80	100	125	150	200	250
A	Not standardized	180	180	220	260	320	375	430	550	670
L		80	80	100	120	150	175	200	250	300
B		111	111	131	148	168	198	222	278	329
C		165	165	185	200	220	250	285	340	405
F	EN 1092 PN16	110	125	145	160	180	210	240	295	355
n° x D		4 x M16	4 x 18	4 x 18	8 x 18	8 x 18	8 x 18	8 x 22	12 x 22	12 x 26
T	ISO 228-1	-	2"	2" -1/2	3"	4"	-	-	-	-
A1	Not standardized	-	225	252	282	326	-	-	-	-
L1		-	85	85	105	118	-	-	-	-
C1		-	96	125	125	148	-	-	-	-
f		5	5	5	5	5	5	5	5	5

### Weight (kg)

kg	EF5+50/52/53	6,15	6,15	8,34	10,73	15	22,2	30,8	51,8	85,8
kg	ET5+51	-	2,27	3,29	4,31	7,55	-	-	-	-

## Versions

### Flanged foot valve



#### EF5.000+50

Body: EN GJL 250  
Trim material:  
DN 50-100: Brass CuZn40Pb2  
DN 125-250: EN GJL 250  
Seal: NBR  
Temp: -10 +100°C  
Strainer: galvanized steel

#### EF5.020+52

Body: EN GJL 250  
Trim material: AISI 316  
Seal: NBR  
Temp: -10 +100°C  
Strainer: AISI 304

#### EF5.020+53

Body: EN GJL 250  
Trim material: AISI 316  
Seal: NBR  
Temp: -10 +100°C  
Strainer: AISI 316

Coating: **RAL 5002** colour

### Threaded foot valve F/F



#### ET5.000+51

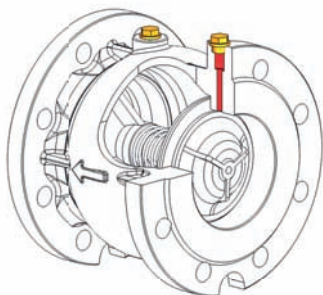
Body: EN GJL 250  
Trim material: Brass CuZn40Pb2  
Seal: NBR  
Temp: -10 +100°C  
Strainer: AISI 304

Coating: **RAL 5002** colour

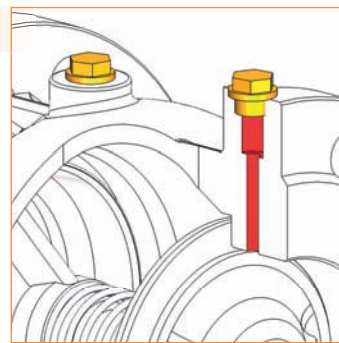


## Accessories

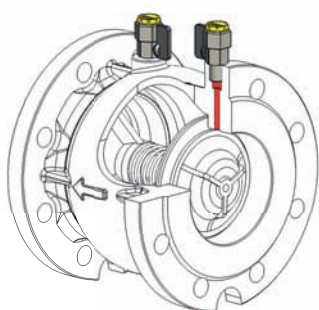
### Plugs for drain



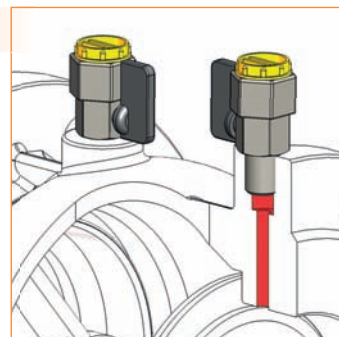
1/4" brass plugs



### Mini-valves for drain



1/4", M/F brass mini-valves, with plastic cap



### Strainer basket



**Art EF50.000**

Strainer basket in galvanized steel with PN 10/16 mounting flange

**Art EF52.000**

Strainer basket in AISI 304 with PN 10/16 mounting flange

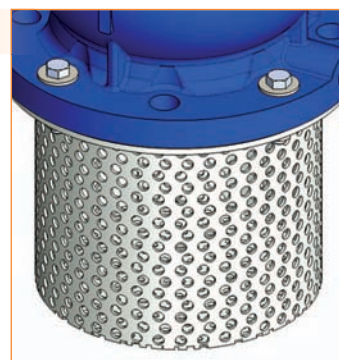
**Art EF53.000**

Strainer basket in AISI 316 with PN 10/16 mounting flange

**Art EF51.000**

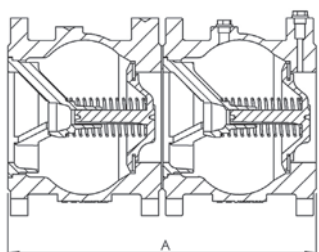
Strainer basket in AISI 304 with threaded nylon connection

See Filtration section



## Special version

### Double check group



DN	40	50	65	80	100	125	150	200	250
A	202	202	242	282	342	402	462	602	742
kg	13,2	13,2	17,2	21,6	29,6	43,2	59,2	99,2	164,8

