

## Ductile cast iron Gate Valve inside screw soft seating PN16 handwheel operated

### Main characteristics

- Manufactured in Italy in accordance with EN 1074
- Face-to-face length according to EN 558-1, basic series 15
- Flanged according to EN 1092-2 PN16 with raised face (other specifications on request)
- Inside screw thread clockwise closing, o-ring packing, back seats provided
- Minimal pressure drop
- Hydrostatically tested according to EN 12266-1:  
Test type P10-P11-P12 Rate A
- Pressure Equipment Directive 2014/68/UE Group 2
- 100% full bore
- EPDM integrally vulcanized wedge
- Gate valves are bi-directional and can be installed in any position.  
However, the preferred orientation is with the stem pointing vertically upwards.



### Field of application

- Potable water
- Food industry
- Water treatment
- Fire-fighting
- Irrigation

### Corrosion protection

Integrally fusion bonded  
Epoxy coated  
Blue Ral 5015  
minimum 150 microns

### Ratings

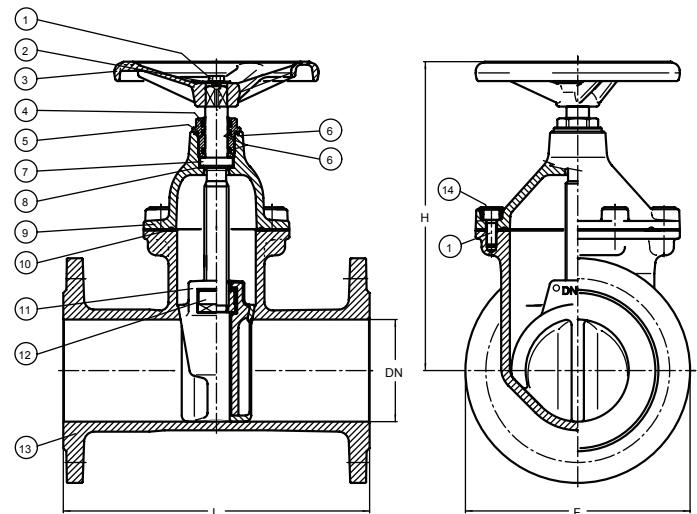
Working temperature (°C)	-10 to +80
Max Working pressure (bar)	16

### Hydrostatically tested according to EN 12266-1 (bar)

P11 Body test	P12 Seat Test water	P12 Seat test air
24	18	6

### Material specification

Nr	Parts	Material	Specification
1	Screw	Zinc-plated 8.8 carbon steel	EN ISO 4762
2	Washer	Zinc-plated carbon steel	EN 7092
3	Handwheel	EN-GJL-250 grey cast iron	EN 1561
4	Dust proof packing	Pvc	-
5	Bush	Drawn brass CW614N	EN 12164
6	O-ring	Epdm	ISO 4097
7	Stem	Stainless Steel X12Cr13	AISI 410
8	Back seat	Ptfe	ASTM 4894
9	Bonnet	EN-GJS-400-15 ductile cast iron	EN 1563
10	Gasket	Epdm	ISO 4097
11	Wedge	EN-GJS-400-15 ductile cast iron Epdm integrally Vulcanized	EN 1563
12	Motherscrew	Cast brass CB 754-S GM	EN 1982
13	Body	EN-GJS-400-15 ductile cast iron	EN 1563
14	Screw tap	Hot Glue	-



### Technical data

DN	40	50	65	80	100	125	150	200	250	300
F mm	150	165	185	200	220	250	285	340	405	460
L mm	240	250	270	280	300	325	350	400	450	500
H mm	191	213	236	265	298	344	388	480	587	664
Weight Kg	10	11	14	18	23	30	39	62	100	128
Handwheel Ø mm	125	150	175	175	200	200	225	250	300	350
Turns open/close nr	10	12,5	16	16	20	25	30	33	41	50
Max torque gate closing Nm	40	40	40	50	60	60	80	100	120	130
Kvs value	107	250	430	790	1.250	1.960	2.790	2.880	4.306	6.380